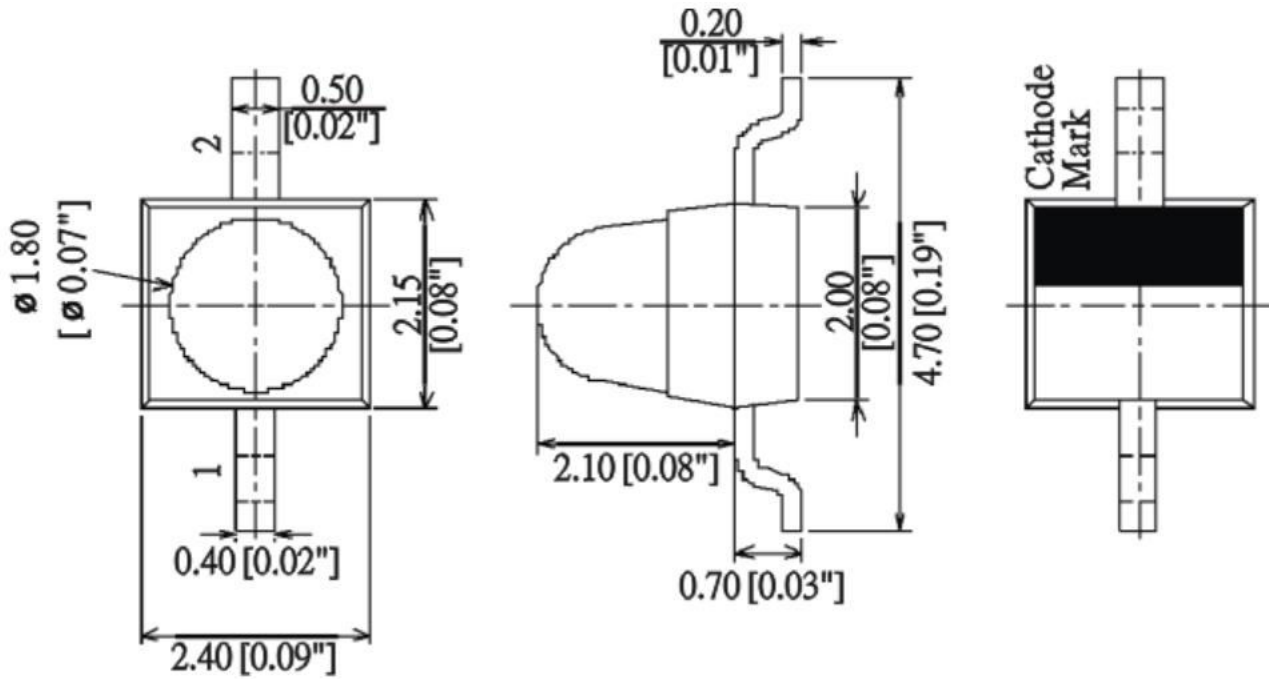


## Infrared Series

Part Number	Peak Wavelength	TOP VIEW	Viewing Angle	CONDITION
CL-LF18IRC-TR7	940 nm	Top view	35 deg	IF=20mA
CL- LF18HIRC-TR7	850 nm	Top view	35 deg	IF=20mA
CL- LF18SIRC-TR7	880 nm	Top view	35 deg	IF=20mA

### Package Size



**Note:**

1. All dimensions are in millimeters (inches).
2. Tolerance is  $\pm 0.1$  (0.004") unless otherwise noted.
3. Specifications are subject to change without notice.