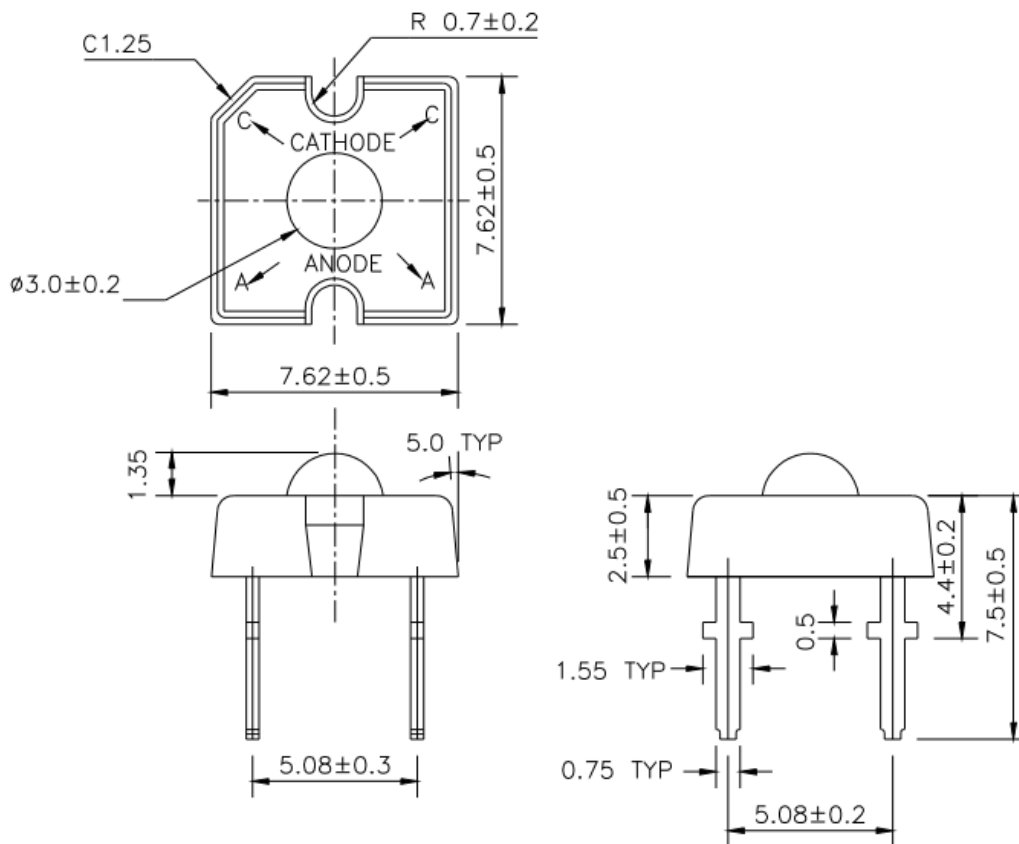


Infrared Series

Part Number	Peak Wavelength	TOP VIEW	Viewing Angle	CONDITION
CL-LPH03IRC	940 nm	Top view	50 deg	IF=70mA
CL- LPH03HIRC	850 nm	Top view	50deg	IF=70mA
CL- LPH03SIRC	880 nm	Top view	50 deg	IF=70mA
CL-LPH05IRC	940 nm	Top view	60 deg	IF=70mA
CL- LPH05HIRC	850 nm	Top view	60 deg	IF=70mA
CL- LPH05SIRC	880 nm	Top view	60 deg	IF=70mA

Package Size

P/N:CL-LPH03XXXX SERIES



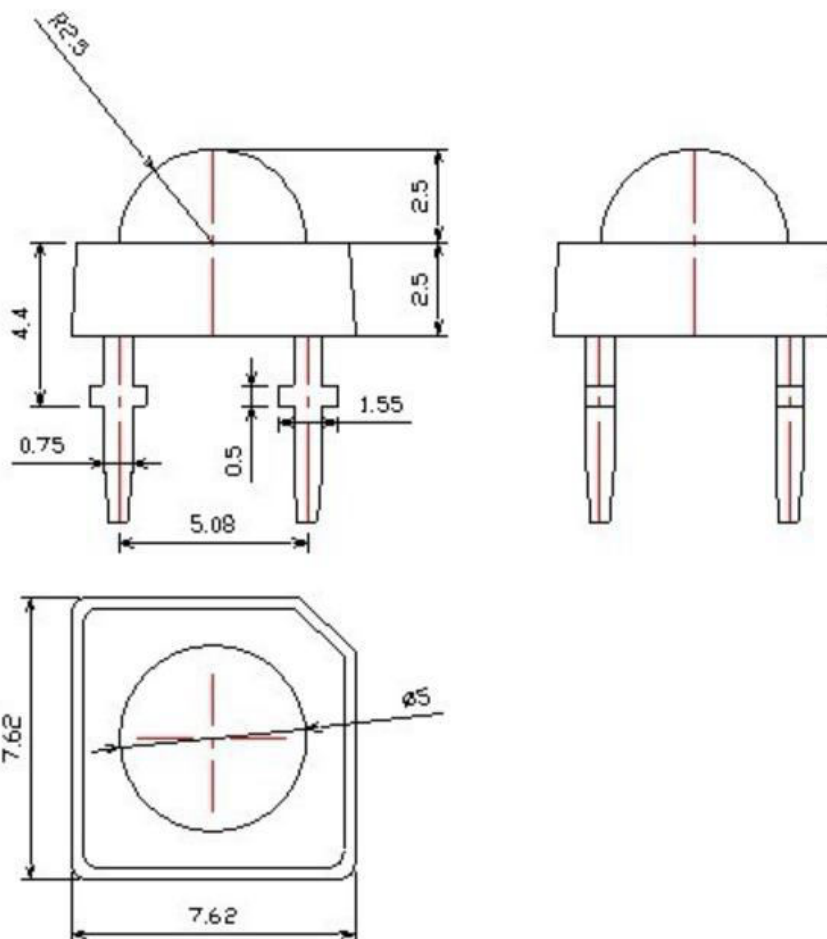
Note:

1. All dimensions are in millimeters (inches).
2. Tolerance is ± 0.1 (0.004") unless otherwise noted.

3. Specifications are subject to change without notice.

Package Size

P/N:CL-LPH05XXXXSERIES



Note:

4. All dimensions are in millimeters (inches).
5. Tolerance is ± 0.1 (0.004") unless otherwise noted.
6. Specifications are subject to change without notice.