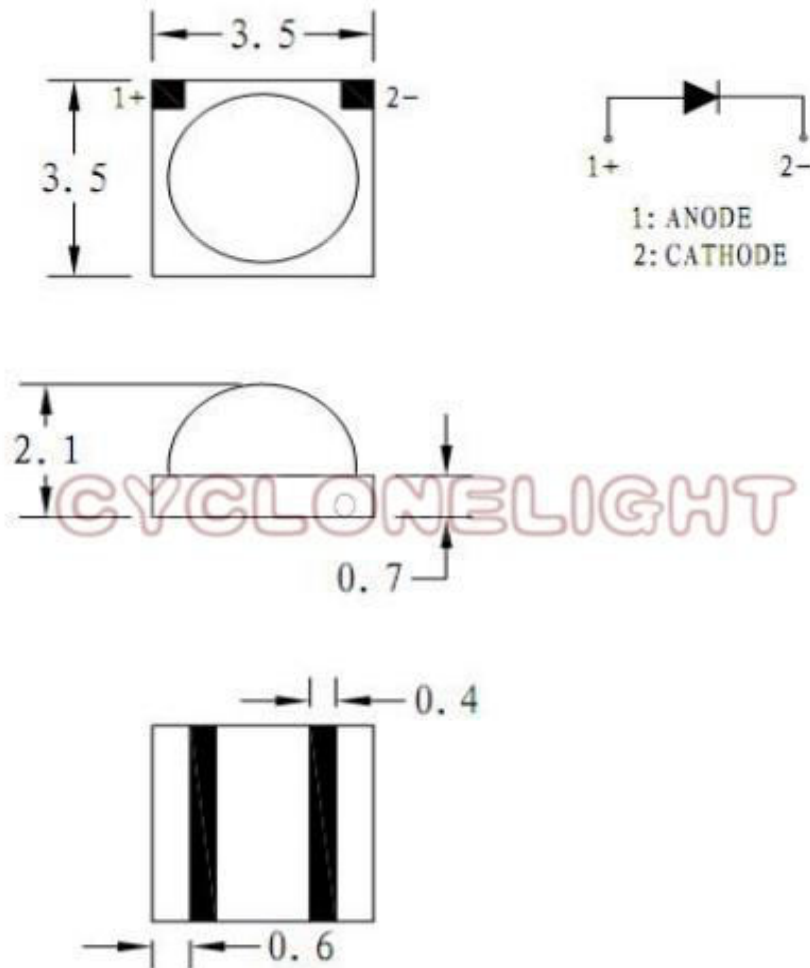


Infrared Series

Part Number	Peak Wavelength	TOP VIEW	Viewing Angle	CONDITION
CL-SHP3535IRC	940 nm	Top view	120 deg	IF=350mA
CL- SHP3535IRC	850 nm	Top view	120 deg	IF=350mA
CL- SHP3535SIRC	880 nm	Top view	120 deg	IF=350mA

Package Size



Note:

1. All dimensions are in millimeters (inches).
2. Tolerance is ± 0.1 (0.004") unless otherwise noted.
3. Specifications are subject to change without notice.