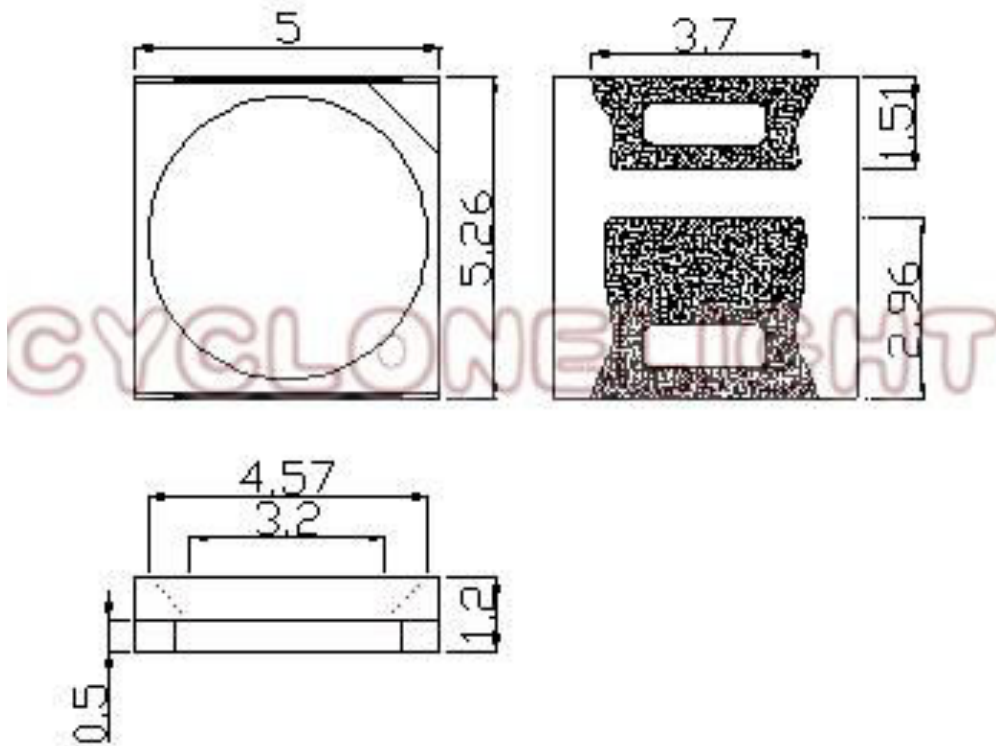


## Infrared Series

| Part Number     | Peak Wavelength | TOP VIEW | Viewing Angle | CONDITION |
|-----------------|-----------------|----------|---------------|-----------|
| CL-SHP5050IRC   | 940 nm          | Top view | 120 deg       | IF=350mA  |
| CL- SHP5050IRC  | 850 nm          | Top view | 120 deg       | IF=350mA  |
| CL- SHP5050SIRC | 880 nm          | Top view | 120 deg       | IF=350mA  |

### Package Size



**Note:**

1. All dimensions are in millimeters (inches).
2. Tolerance is  $\pm 0.1(0.004)$  unless otherwise noted.
3. Specifications are subject to change without notice.