

**玄豐電子有限公司**

**CYCLONE LIGHT ELECTRONICS CO., LTD.**

TEL:886-2-2293-7117 (REP.) FAX:886-2-2293-7118(REP.)

**規格承認書**

**APPROVED SHEET**

**Part No:CL-LF18XXXXX-TR7**

客戶名稱 / CUSTOMER NAME :

產品型號 / PRODUCT NUMBER :

客戶料號 / CUSTOMER' P/N :



<b>CUSTOMER ENGINEERING DEPARTMENT</b>	<b>CYCLONE LIGHT ELECTRONICS CO., LTD. ENGINEERING DEPARTMENT</b>
<hr/> <b>(Authorized Signature)</b>	<hr/>

## 1. Package Size: 1.8mm TR7 TYPE

## 2. Color and Luminous Intensity:

Part No.	Emitted Color	Resin Color	Luminous Intensity (mcd)		Test Current
			MIN.	TYP.	
CL-L18CRFC-TR7	Red	CLEAR	200	400	20mA
CL-L18AMBC-TR7	Amber	CLEAR	200	400	
CL- L18YGFC-TR7	Yellow Green	CLEAR	60	100	
CL- L18CYFC-TR7	Yellow	CLEAR	200	500	
CL- L18TGC-TR7	Ultra Green	CLEAR	8000	15000	
CL- L18TBC-TR7	Blue	CLEAR	800	1500	
CL- L18BWC-TR7	White	CLEAR	5000	8000	

※1 Luminous intensity : 1chips

## 3. Absolute Maximum Ratings:

Item	Symbol	Absolute Maximum Ratings							Unit	
		CRF	AMB	YGF	CYF	TG	TB	BW		
Power Dissipation	$P_d$	70	70	70	70	70	70	70	mW	
Forward Current	$I_F$	30	30	30	30	30	30	30	mA	
Pulse Forward Current <sup>※</sup>	$I_{FRM}$	60	60	60	60	60	60	60	mA	
Reverse Voltage	$V_R$	5	5	5	5	5	5	5	V	
Operating Temperature	$T_{opr}$	- 40 ~ + 85								°C
Storage Temperature	$T_{stg}$	- 40 ~ + 85								°C

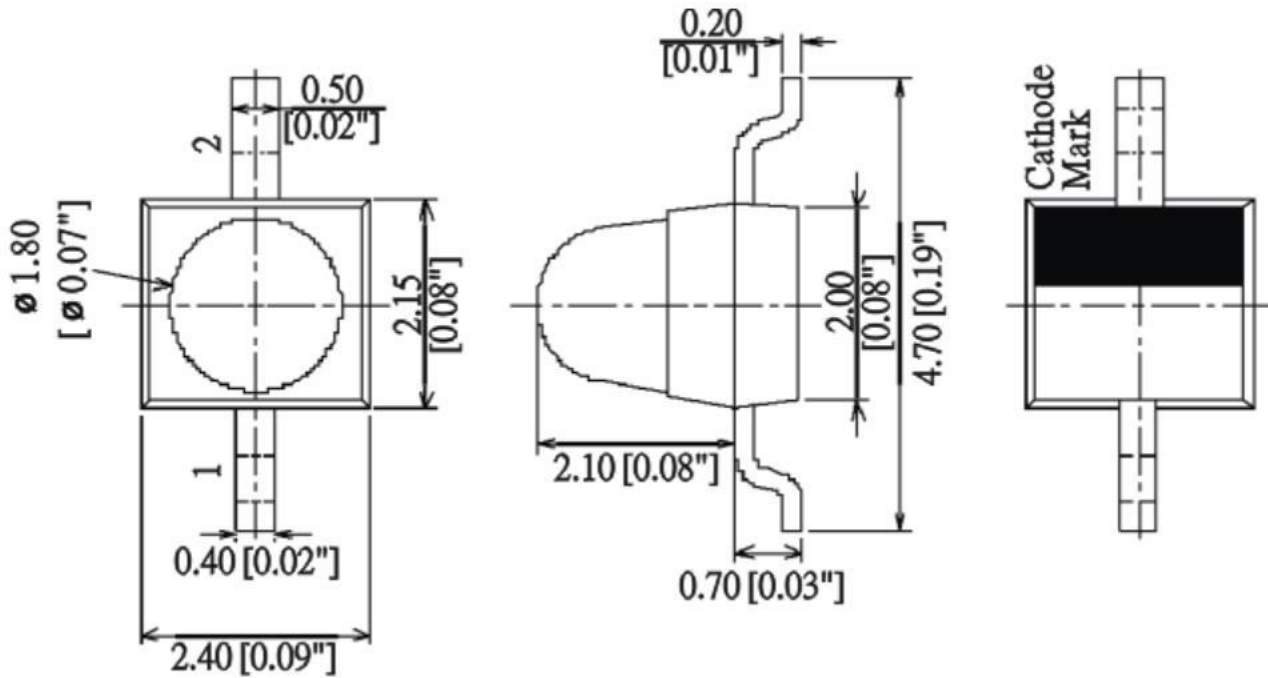
※2 Power Dissipation : 1chips

※3  $I_{FRM}$  Measurement condition : Pulse Width  $\leq$  2ms, Duty  $\leq$  1/5

## 4. Electro-Optical Characteristics

Item	Conditions	Symbol	Characteristics							Unit	
				CRF	AMB	YGF	CYF	TG	TB		BW
Forward Voltage	IF=20mA	$V_F$	TYP.	1.8	1.8	1.8	1.8	2.8	2.8	2.8	V
			MAX.	2.3	2.5	2.5	2.5	3.5	3.5	3.5	
Dominant Wavelength	IF=20mA	$\lambda_d$	TYP.	625	605	570	590	525	460	8000k	nm

## PACKAGE DIMENSIONS



### Notes :

1. Dimensions are in millimeters.
2. Tolerance is  $\pm 0.25$ mm without noted.

## Precautions For Use LED

### 1. Over-current-proof

Customer must apply resistors for protection; otherwise slight voltage shift will cause big current change (Burn out will happen).

### 2. Storage

2.1 Do not open moisture proof bag before the products are ready to use.

2.2 Before opening the package: The LEDs should be kept at 30°C or less and 90%RH or less.

2.3 After opening the package: The LED's floor life is 168 Hrs under 30°C or less and 60% RH or less. If unused

LEDs remain, it should be stored in moisture proof packages.

2.4 If the moisture absorbent material (silica gel) has faded away or the LEDs have exceeded the storage time, baking treatment should be performed using the following conditions.

Baking treatment: 60±5°C for 24 hours.

### 3. Soldering Condition

Pb-free solder temperature profile

