

1. Package Size: 3.0mm*1.4mm*0.65H SMD TOP VIEW 3014 TYPE 0.1w Series

2. Color and Luminous Intensity:

Part No.	Emitted Color	Resin Color	Luminous Intensity (LM)		Test Current
			MIN.	TYP.	
CL-S3014CRFC	Red	CLEAR	2	4	30mA
CL-S3014AMBC06T	Amber	CLEAR	2	4	
CL-S3014YGFC06T	Yellow Green	CLEAR	0.1	0.2	
CL-S3014CYFC06T	Yellow	CLEAR	5	15	
CL-S3014TGC06T	Ultra Green	CLEAR	8	12	
CL-S3014TBC06T	Blue	CLEAR	0.5	2	
CL-S3014BWC06T	White	CLEAR	5	10	

※1 Luminous intensity : 1chips

3. Absolute Maximum Ratings:

Item	Symbol	Absolute Maximum Ratings							Unit
		CRF	AMB	YGF	CYF	TG	TB	BW	
Power Dissipation	P_d	110	110	110	110	110	110	110	mW
Forward Current	I_F	30	30	30	30	30	30	30	mA
Pulse Forward Current [※]	I_{FRM}	60	60	60	60	60	60	60	mA
Reverse Voltage	V_R	5	5	5	5	5	5	5	V
Operating Temperature	T_{opr}	- 40 ~ + 85							°C
Storage Temperature	T_{stg}	- 40 ~ + 85							°C

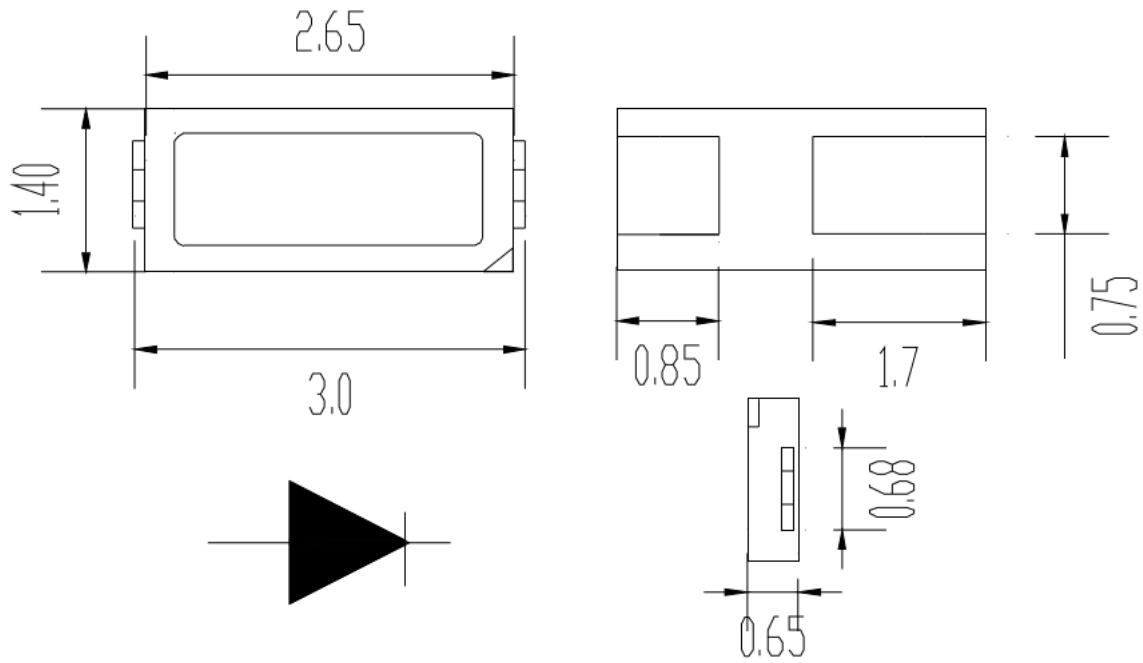
※2 Power Dissipation : 1chips

※3 I_{FRM} Measurement condition : Pulse Width $\leq 2ms$, Duty $\leq 1/5$

4. Electro-Optical Characteristics

Item	Conditions	Symbol	Characteristics							Unit	
				CRF	AMB	YGF	CYF	TG	TB		BW
Forward Voltage	IF=20mA	V_F	TYP.	1.8	1.8	1.8	1.8	2.8	2.8	2.8	V
			MAX.	2.3	2.5	2.5	2.5	3.5	3.5	3.5	
Dominant Wavelength	IF=20mA	λ_d	TYP.	625	605	570	590	525	460	2700k 8000k	nm

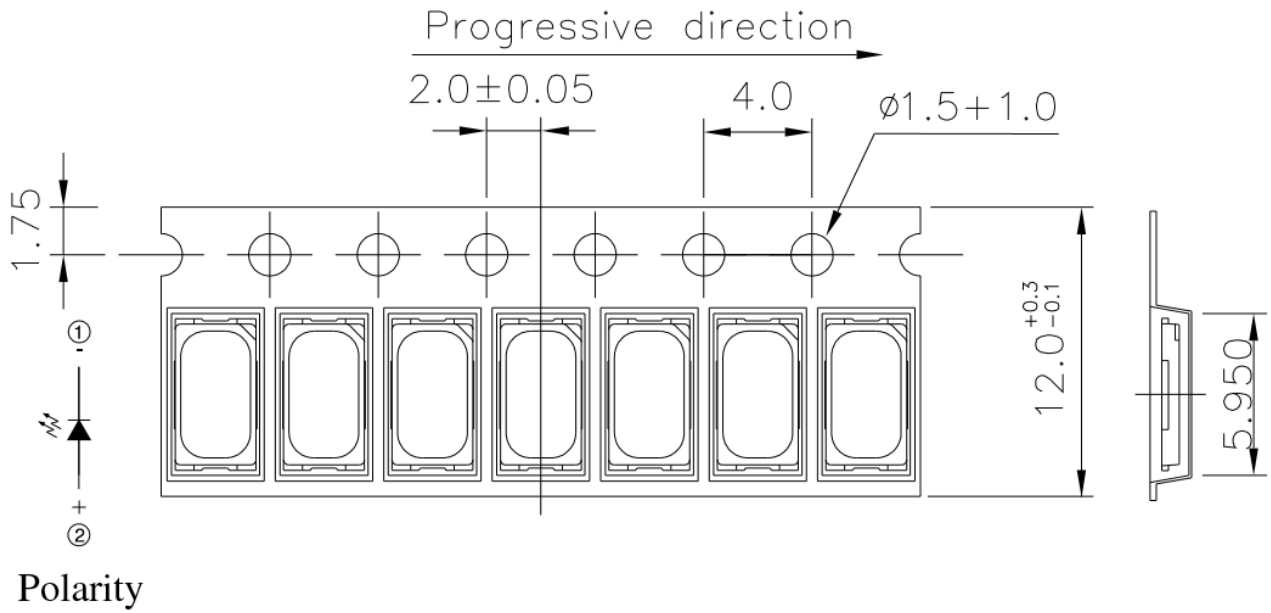
PACKAGE DIMENSIONS



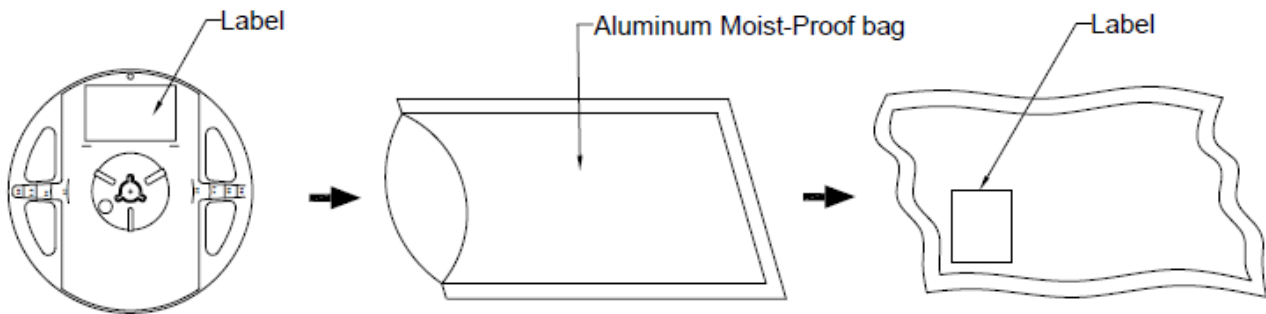
Notes :

1. Dimensions are in millimeters.
2. Tolerance is ± 0.25 mm without noted.

Carrier Type Dimensions



Packing Specifications



Cyclonelight

P/N:CL-XXXXXXXXXX ROHS



QTY:4000 PCS



LOT NO:XXXXXXXXXX



HUE:XXX

CAT:XXX

REF:XXX

Precautions For Use LED

1. Over-current-proof

Customer must apply resistors for protection; otherwise slight voltage shift will cause big current change (Burn out will happen).

2. Storage

2.1 Do not open moisture proof bag before the products are ready to use.

2.2 Before opening the package: The LEDs should be kept at 30°C or less and 90%RH or less.

2.3 After opening the package: The LED's floor life is 168 Hrs under 30°C or less and 60% RH or less. If unused

LEDs remain, it should be stored in moisture proof packages.

2.4 If the moisture absorbent material (silica gel) has faded away or the LEDs have exceeded the storage time, baking treatment should be performed using the following conditions.

Baking treatment: 60±5°C for 24 hours.

3. Soldering Condition

Pb-free solder temperature profile

