

玄豐電子有限公司

CYCLONE LIGHT ELECTRONICS CO., LTD.

TEL:886-2-2293-7117 (REP.) FAX:886-2-2293-7118(REP.)

規格承認書

APPROVED SHEET

Part No:CL-SKR3528XXXXX

客戶名稱 / CUSTOMER NAME :

產品型號 / PRODUCT NUMBER :

客戶料號 / CUSTOMER P/N :



CUSTOMER ENGINEERING DEPARTMENT	CYCLONE LIGHT ELECTRONICS CO., LTD. ENGINEERING DEPARTMENT
<hr/> (Authorized Signature)	<hr/>

1. Package Size: 3.5mm*2.8mm*1.9H SMD TOP VIEW 3528 TYPE Series

2. Color and Luminous Intensity:

Part No.	Emitted Color	Resin Color	Luminous Intensity (MCD)		Test Current
			MIN.	TYP.	
CL-SKR3528CRFC	Red	CLEAR	600	1000	20mA
CL-SKR3528AMBC	Amber	CLEAR	400	600	
CL-SKR3528YGFC	Yellow Green	CLEAR	100	150	
CL-S KR3528CYFC	Yellow	CLEAR	400	500	
CL-S KR3528TGC	Ultra Green	CLEAR	1600	2200	
CL-S KR3528TBC	Blue	CLEAR	700	1200	
CL-S KR3528BWC	White	CLEAR	1600	2600	

※1 Luminous intensity : 1chips

3. Absolute Maximum Ratings:

Item	Symbol	Absolute Maximum Ratings							Unit
		CRF	AMB	YGF	CYF	TG	TB	BW	
Power Dissipation	P_d	90	90	90	90	90	90	90	mW
Forward Current	I_F	20	20	20	20	20	20	20	mA
Pulse Forward Current [※]	I_{FRM}	60	60	60	60	60	60	60	mA
Reverse Voltage	V_R	5	5	5	5	5	5	5	V
Operating Temperature	T_{opr}	- 40 ~ + 85							°C
Storage Temperature	T_{stg}	- 40 ~ + 85							°C

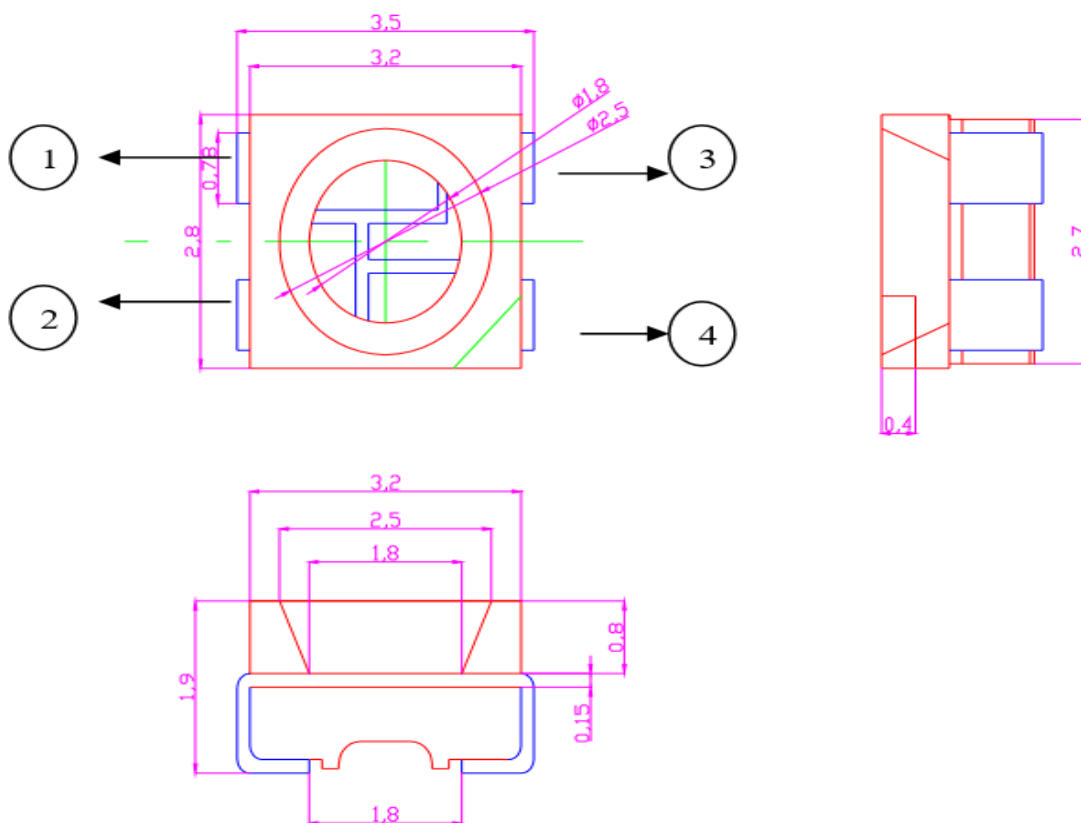
※2 Power Dissipation : 1chips

※3 I_{FRM} Measurement condition : Pulse Width \leq 2ms, Duty \leq 1/5

4. Electro-Optical Characteristics

Item	Conditions	Symbol	Characteristics							Unit	
				CRF	AMB	YGF	CYF	TG	TB		BW
Forward Voltage	IF=20mA	V_F	TYP.	1.8	1.8	1.8	1.8	2.8	2.8	2.8	V
			MAX.	2.3	2.5	2.5	2.5	3.5	3.5	3.5	
Dominant Wavelength	IF=20mA	λ_d	TYP.	625	605	570	590	525	460	2700k 8000k	nm

PACKAGE DIMENSIONS



3528R (红) 光



3528Y (黄) 光



3528B (蓝) 光



3528BW (白) 光



3528G (绿) 光

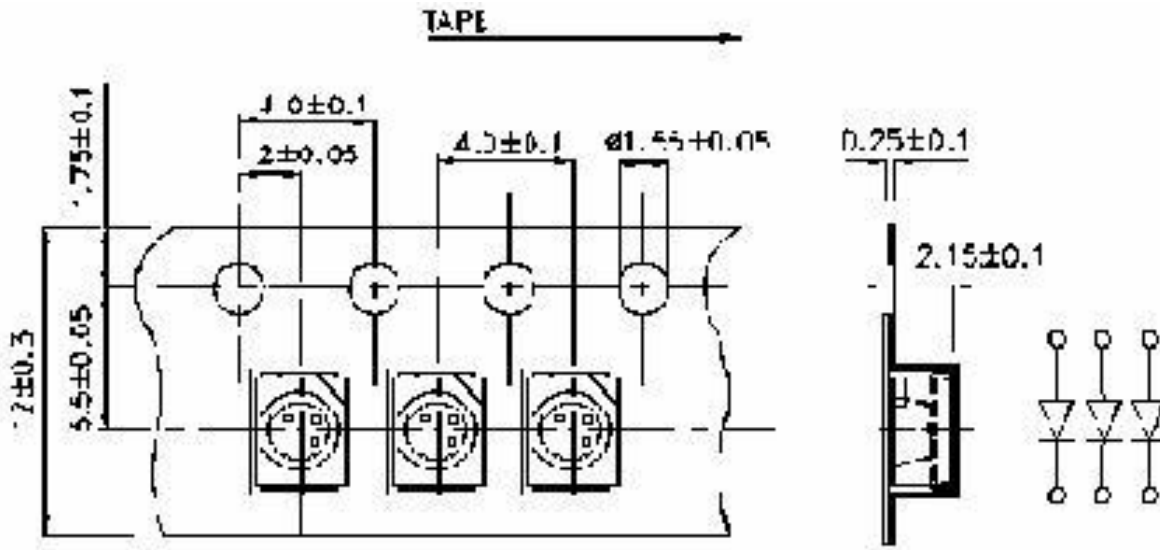


Notes :

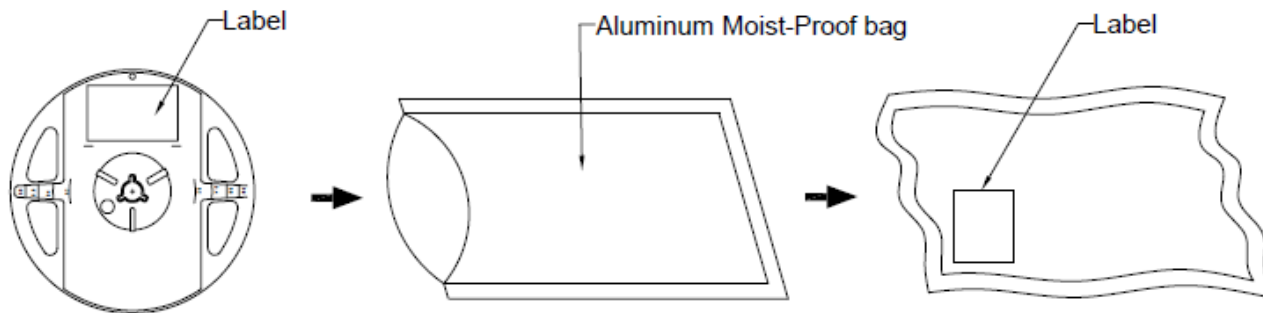
1. Dimensions are in millimeters.
2. Tolerance is $\pm 0.25\text{mm}$ without noted.

Cyclonelight

Carrier Type Dimensions



Packing Specifications



Cyclonelight

P/N:CL-XXXXXXXXXX



QTY:4000 PCS



LOT NO:XXXXXXXXXX



ROHS

HUE:XXX
CAT:XXX
REF:XXX

Precautions For Use LED

1. Over-current-proof

Customer must apply resistors for protection; otherwise slight voltage shift will cause big current change (Burn out will happen).

2. Storage

2.1 Do not open moisture proof bag before the products are ready to use.

2.2 Before opening the package: The LEDs should be kept at 30°C or less and 90%RH or less.

2.3 After opening the package: The LED's floor life is 168 Hrs under 30°C or less and 60% RH or less. If unused

LEDs remain, it should be stored in moisture proof packages.

2.4 If the moisture absorbent material (silica gel) has faded away or the LEDs have exceeded the storage time, baking treatment should be performed using the following conditions.

Baking treatment: 60±5°C for 24 hours.

3. Soldering Condition

Pb-free solder temperature profile

