

玄豐電子有限公司

CYCLONE LIGHT ELECTRONICS CO., LTD.

TEL:886-2-2293-7117 (REP.) FAX:886-2-2293-7118(REP.)

規格承認書

APPROVED SHEET

Part No:CL-LPH05XXXXX-07T

客戶名稱 / CUSTOMER NAME :

產品型號 / PRODUCT NUMBER :

客戶料號 / CUSTOMER' P/N :



CUSTOMER ENGINEERING DEPARTMENT	CYCLONE LIGHT ELECTRONICS CO., LTD. ENGINEERING DEPARTMENT
<hr/> (Authorized Signature)	<hr/>

1. Package Size: Super Flux 5mm Round

2. Color and Luminous Intensity:

Part No.	Emitted Color	Resin Color	Luminous Intensity (mcd)		Test Current
			MIN.	TYP.	
CL-LPH05CRFC-07T	Red	CLEAR	5000	8000	70mA
CL-LPH05AMBC-07T	Amber	CLEAR	5000	8000	
CL-LPH05GFC-07T	Yellow Green	CLEAR	60	100	
CL-LPH05CYFC-07T	Yellow	CLEAR	5000	8000	
CL-LPH05TGC-07T	Ultra Green	CLEAR	8000	15000	
CL-LPH05TBC-07T	Blue	CLEAR	800	1500	
CL-LPH05BWC-07T	White	CLEAR	5000	18000	

※1 Luminous intensity : 1chips

3. Absolute Maximum Ratings:

Item	Symbol	Absolute Maximum Ratings							Unit	
		CRF	AMB	YGF	CYF	TG	TB	BW		
Power Dissipation	P_d	200	200	200	200	200	200	70	mW	
Forward Current	I_F	70	70	70	70	70	70	30	mA	
Pulse Forward Current [※]	I_{FRM}	100	100	100	100	100	100	100	mA	
Reverse Voltage	V_R	5	5	5	5	5	5	5	V	
Operating Temperature	T_{opr}	- 40 ~ + 85								°C
Storage Temperature	T_{stg}	- 40 ~ + 85								°C

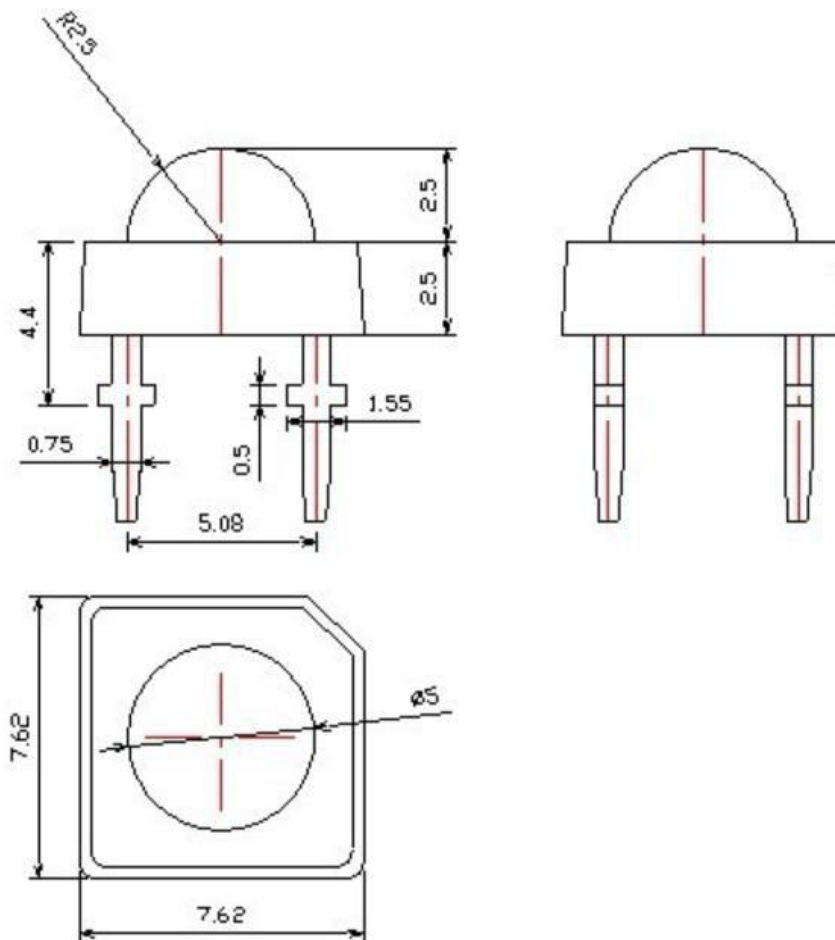
※2 Power Dissipation : 1chips

※3 I_{FRM} Measurement condition : Pulse Width \leq 2ms, Duty \leq 1/5

4. Electro-Optical Characteristics

Item	Conditions	Symbol	Characteristics							Unit	
				CRF	AMB	YGF	CYF	TG	TB		BW
Forward Voltage	IF=20mA	V_F	TYP.	1.8	1.8	1.8	1.8	2.8	2.8	2.8	V
			MAX.	2.3	2.5	2.5	2.5	3.5	3.5	3.5	
Dominant Wavelength	IF=20mA	λ_d	TYP.	625	605	570	590	525	460	8000k	nm

PACKAGE DIMENSIONS



Notes :

1. Dimensions are in millimeters.
2. Tolerance is ± 0.25 mm without noted.

Precautions For Use LED

1. Over-current-proof

Customer must apply resistors for protection; otherwise slight voltage shift will cause big current change (Burn out will happen).

2. Storage

2.1 Do not open moisture proof bag before the products are ready to use.

2.2 Before opening the package: The LEDs should be kept at 30°C or less and 90%RH or less.

2.3 After opening the package: The LED's floor life is 168 Hrs under 30°C or less and 60% RH or less. If unused

LEDs remain, it should be stored in moisture proof packages.

2.4 If the moisture absorbent material (silica gel) has faded away or the LEDs have exceeded the storage time, baking treatment should be performed using the following conditions.

Baking treatment: 60±5°C for 24 hours.

3. Soldering Condition

Pb-free solder temperature profile

