

1. Package Size: 1.05mm*0.55mm*0.45H SMD 0402 TYPE

2. Color and Luminous Intensity:

Part No.	Emitted Color	Resin Color	Luminous Intensity (mcd)		Test Current
			MIN.	TYP.	
CL-S0402CRFC05M	Red	CLEAR	50	100	20mA
CL-S0402AMBC05M	Amber	CLEAR	100	180	
CL-S0402YGFC05M	Yellow Green	CLEAR	15	40	
CL-S0402CYFC05M	Yellow	CLEAR	50	200	
CL-S0402TGC05M	Ultra Green	CLEAR	300	500	
CL-S0402TBC05M	Blue	CLEAR	40	150	
CL-S0402BWC05M	White	CLEAR	300	800	

※1 Luminous intensity : 1chips

3. Absolute Maximum Ratings:

Item	Symbol	Absolute Maximum Ratings							Unit
		CRF	AMB	YGF	CYF	TG	TB	BW	
Power Dissipation	P_d	70	70	70	70	70	70	70	mW
Forward Current	I_F	30	30	30	30	30	30	30	mA
Pulse Forward Current [※]	I_{FRM}	60	60	60	60	60	60	60	mA
Reverse Voltage	V_R	5	5	5	5	5	5	5	V
Operating Temperature	T_{opr}	- 40 ~ + 85							°C
Storage Temperature	T_{stg}	- 40 ~ + 85							°C

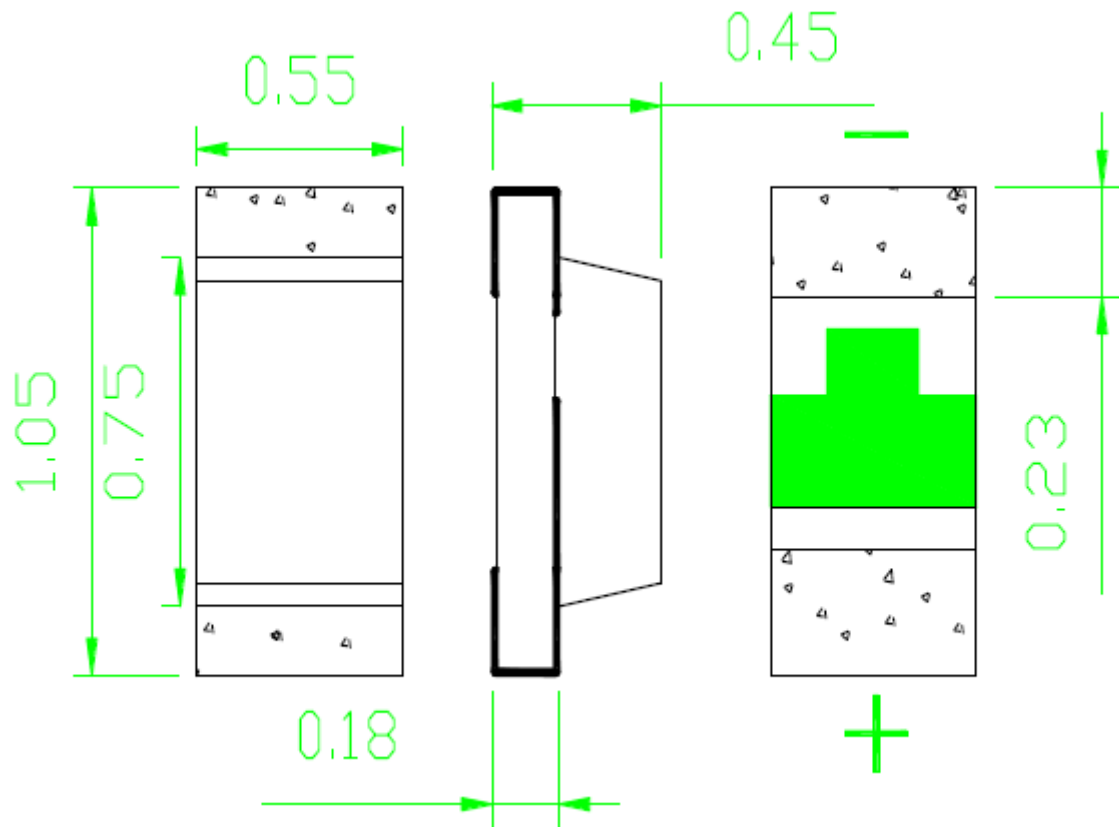
※2 Power Dissipation : 1chips

※3 I_{FRM} Measurement condition : Pulse Width \leq 2ms, Duty \leq 1/5

4. Electro-Optical Characteristics

Item	Conditions	Symbol	Characteristics							Unit	
				CRF	AMB	YGF	CYF	TG	TB		BW
Forward Voltage	IF=20mA	V_F	TYP.	1.8	1.8	1.8	1.8	2.8	2.8	2.8	V
			MAX.	2.3	2.5	2.5	2.5	3.5	3.5	3.5	
Dominant Wavelength	IF=20mA	λ_d	TYP.	625	605	570	590	525	460	8000k	nm

PACKAGE DIMENSIONS

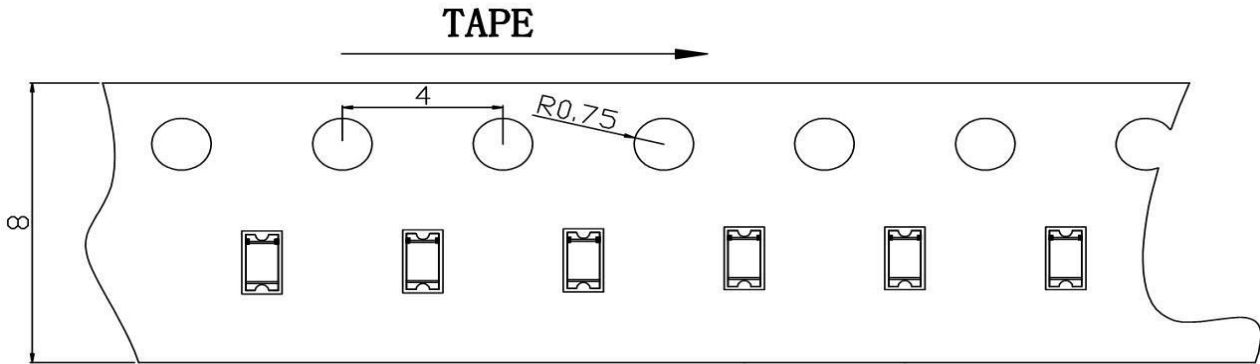


Notes :

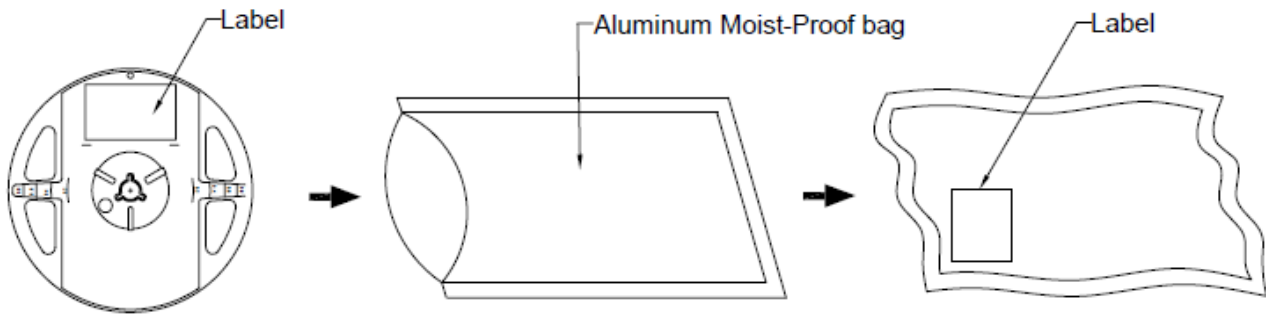
1. Dimensions are in millimeters.
2. Tolerance is ± 0.25 mm without noted.

Cyclonelight




Carrier Type Dimensions



Packing Specifications



Cyclonelight

P/N:CL-XXXXXXXXXX	ROHS
	
QTY:4000 PCS	HUE:XXX
	CAT:XXX
LOT NO:XXXXXXXXXX	REF:XXX
	

Precautions For Use LED

1. Over-current-proof

Customer must apply resistors for protection; otherwise slight voltage shift will cause big current change (Burn out will happen).

2. Storage

2.1 Do not open moisture proof bag before the products are ready to use.

2.2 Before opening the package: The LEDs should be kept at 30°C or less and 90%RH or less.

2.3 After opening the package: The LED's floor life is 168 Hrs under 30°C or less and 60% RH or less. If unused

LEDs remain, it should be stored in moisture proof packages.

2.4 If the moisture absorbent material (silica gel) has faded away or the LEDs have exceeded the storage time, baking treatment should be performed using the following conditions.

Baking treatment: 60±5°C for 24 hours.

3. Soldering Condition

Pb-free solder temperature profile

