

玄豐電子有限公司

CYCLONE LIGHT ELECTRONICS CO., LTD.

TEL:886-2-2293-7117 (REP.) FAX:886-2-2293-7118(REP.)

規格承認書

APPROVED SHEET

Part No:CL-S5730XXXXX15T

客戶名稱 / CUSTOMER NAME :

產品型號 / PRODUCT NUMBER :

客戶料號 / CUSTOMER P/N :



CUSTOMER ENGINEERING DEPARTMENT	CYCLONE LIGHT ELECTRONICS CO., LTD. ENGINEERING DEPARTMENT
<hr/> (Authorized Signature)	<hr/>

1. Package Size: 5.7mm*3.0mm*0.8H SMD TOP VIEW 5730 TYPE 0.5W Series

2. Color and Luminous Intensity:

Part No.	Emitted Color	Resin Color	Luminous Intensity (LM)		Test Current
			MIN.	TYP.	
CL-S5730CRFC15T	Red	CLEAR	15	20	150mA
CL- S5730AMBC15T	Amber	CLEAR	15	20	
CL- S5730CYFC15T	Yellow	CLEAR	15	20	
CL- S5730TGC15T	Ultra Green	CLEAR	25	35	
CL- S5730TBC15T	Blue	CLEAR	5	7	
CL- S5730BWC15T	White	CLEAR	38	45	

※1 Luminous intensity : 1chips

3.Absolute Maximum Ratings:

Item	Symbol	Absolute Maximum Ratings							Unit	
		CRF	AMB	YGF	CYF	TG	TB	BW		
Power Dissipation	P_d	500	500	500	500	500	500	500	mW	
Forward Current	I_F	150	150	150	150	150	150	150	mA	
Pulse Forward Current [※]	I_{FRM}	300	300	300	300	300	300	300	mA	
Reverse Voltage	V_R	5	5	5	5	5	5	5	V	
Operating Temperature	T_{opr}	- 40 ~ + 85								°C
Storage Temperature	T_{stg}	- 40 ~ + 85								°C

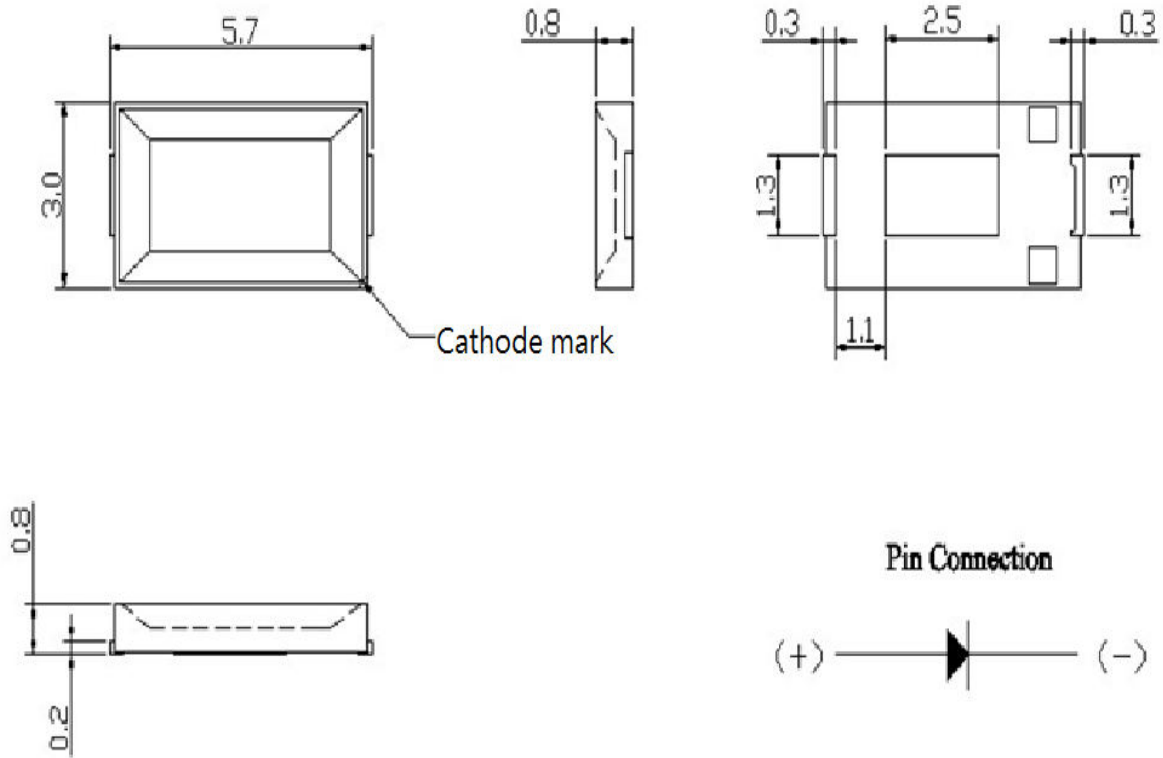
※2 Power Dissipation : 1chips

※3 I_{FRM} Measurement condition : Pulse Width ≤ 2ms, Duty ≤ 1/5

4.Electro-Optical Characteristics

Item	Conditions	Symbol	Characteristics							Unit	
				CRF	AMB	YGF	CYF	TG	TB		BW
Forward Voltage	$I_F=150mA$	V_F	TYP.	1.8	1.8	1.8	1.8	2.8	2.8	2.8	V
			MAX.	2.3	2.5	2.5	2.5	3.5	3.5	3.5	
Dominant Wavelength	$I_F=150mA$	λ_d	TYP.	625	605	570	590	525	460	2700k 8000k	nm

PACKAGE DIMENSIONS

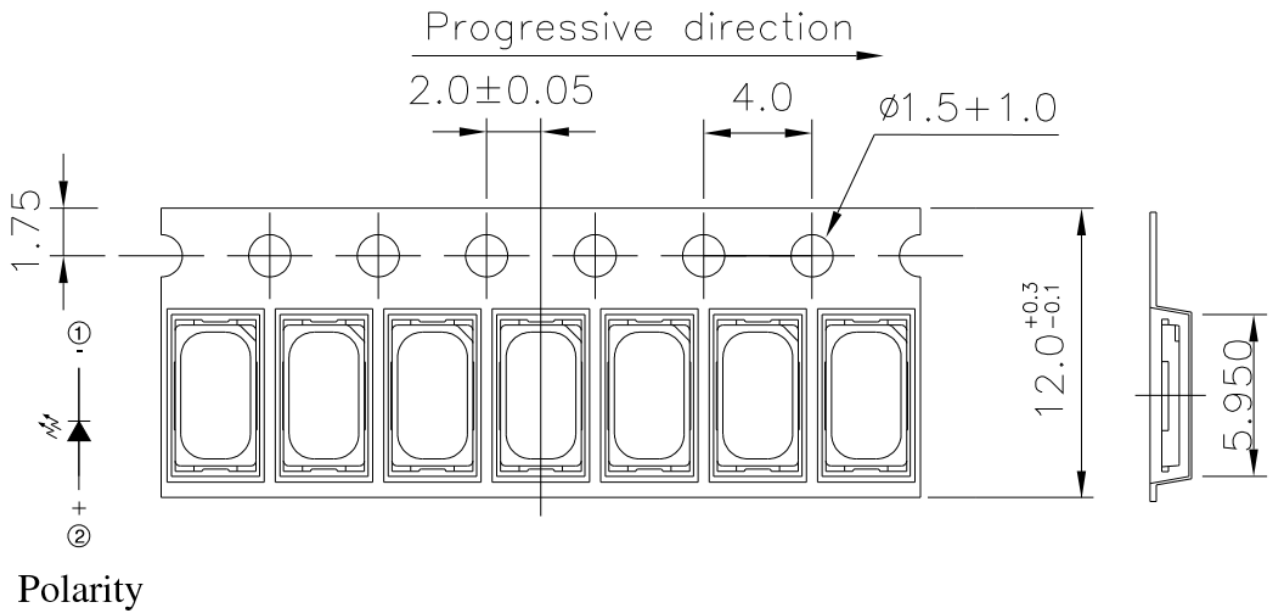


Notes :

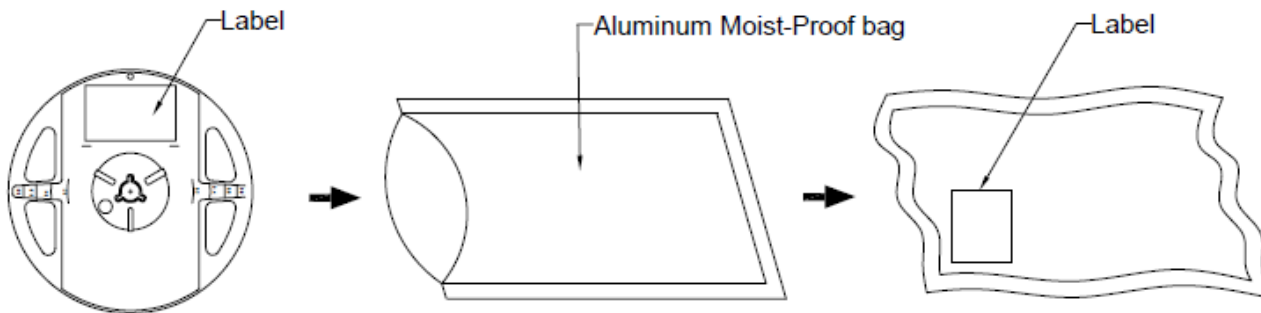
1. Dimensions are in millimeters.
2. Tolerance is ± 0.25 mm without noted.

Cyclonelight

Carrier Type Dimensions



Packing Specifications



Cyclonelight

P/N:CL-XXXXXXXXXX

ROHS

QTY:4000 PCS

LOT NO:XXXXXXXXXX

HUE:XXX

CAT:XXX

REF:XXX

The complex block contains a label template with the Cyclonelight logo, part number, quantity, lot number, and a barcode. It also includes a ROHS compliance box and product identification codes (HUE, CAT, REF).

Precautions For Use LED

1. Over-current-proof

Customer must apply resistors for protection; otherwise slight voltage shift will cause big current change (Burn out will happen).

2. Storage

2.1 Do not open moisture proof bag before the products are ready to use.

2.2 Before opening the package: The LEDs should be kept at 30°C or less and 90%RH or less.

2.3 After opening the package: The LED's floor life is 168 Hrs under 30°C or less and 60% RH or less. If unused

LEDs remain, it should be stored in moisture proof packages.

2.4 If the moisture absorbent material (silica gel) has faded away or the LEDs have exceeded the storage time, baking treatment should be performed using the following conditions.

Baking treatment: 60±5°C for 24 hours.

3. Soldering Condition

Pb-free solder temperature profile

